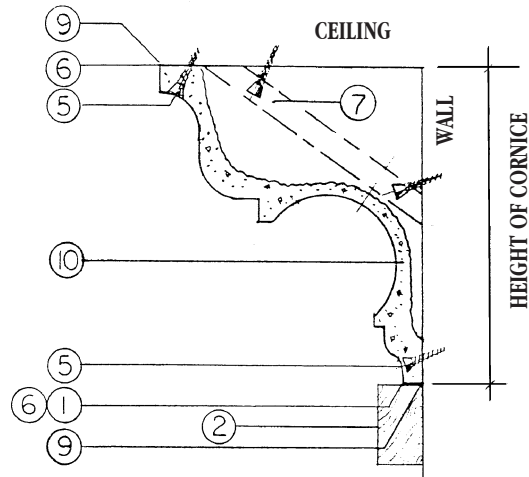
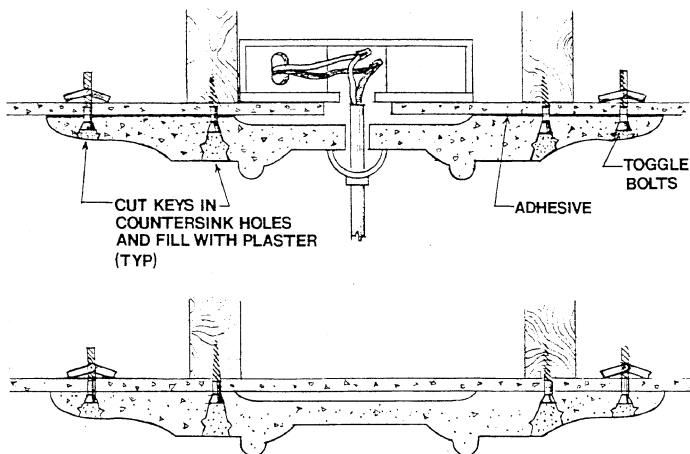


Cornice Installation



1. Using the height of the cornice, establish a horizontal reference line on wall for bottom of cornice.
2. Mark reference line at perimeter of room and tack a wood strip at this elevation. (Remove when complete)
3. Using an outside corner as a starting point, (start with inside corner if job does not require any outside corners) miter one end of casting.
4. Locate studs and mark stud locations on wall and castings.
5. Pre-drill and countersink casting at marked locations.
6. Apply construction adhesive to contact points of cornice to wall and ceiling.
7. Rest Cornice on wood strip and (using galvanized screws) screw cornice to studs. Optional Method of attachment: Fasten wood blocking to ceiling & wall and attach casting to wood blocking.
8. Fill joints and screw holes with plaster: allow to dry and sand smooth.
9. Fill open seams with paintable caulk where cornice meets wall and ceiling.
10. Prime and paint.

Ceiling Medallion Installation



1. Locate ceiling framing and mark attachment locations on casting.
2. Pre-drill and countersink at attachment points.
3. Apply construction adhesive to casting and brace in place while screw attaching casting to structural framing.
4. Fill screw holes with plaster, allow to dry and sand smooth.
5. Fill irregularities along ceiling with paintable caulk.
6. Prime and paint.



FELBER
ORNAMENTAL
PLASTERING CORP.

PO BOX 57, 1000 WEST WASHINGTON STREET
NORRISTOWN, PENNSYLVANIA 19404
FAX: 610-275-6636 1-800-392-6896 WEB: www.felber.net