

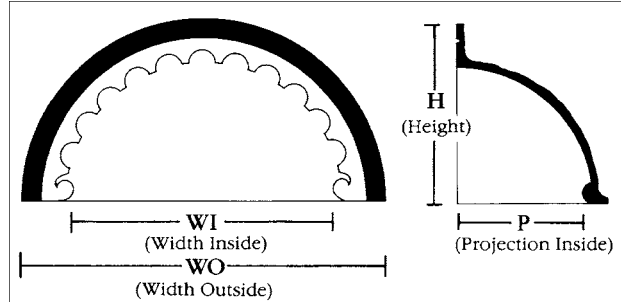
NICHE CAPS



Niche: traditionally a recess in a wall, usually designed to hold a sculpture or an urn; semicircular, surmounted by a half dome (niche cap)

Niche Cap: traditionally the decorative top portion of a wall niche; generally a scallop shell pattern.

Applications: Niches and niche caps add a beautiful accent to china closets, as well as bookcases and sculpture niches.



Niche - **7821** installation with custom trim

H. 15 1/8"
WI. 25"
WO. 30 1/4"
P. 9"

7823

H. 13 3/4"
WI. 22 1/2"
WO. 25 1/4"
P. 6"



7814

H. 15"
WI. 27"
WO. 30"
P. 3"



7817

H. 13 3/8"
WI. 24"
WO. 26 3/4"
P. 13"



7805

H. 23 1/8"
WI. 29 3/4"
WO. 36 1/4"
P. 14 5/8"



7804

H. 19 5/8"
WI. 33 3/8"
WO. 39 1/2"
P. 11"



Scale - 1" = 1' - 0"

NICHE CAPS

7815

H. 11 3/8"
 WI. 16 1/2"
 WO. 23"
 P. 7 3/4"



7800

H. 11"
 WI. 22"
 WO. 24 3/4"
 P. 10"



7801

H. 12 1/2"
 WI. 22"
 WO. 24 1/2"
 P. 11 1/2"



SN-009

H. 18"
 WI. 12"
 WO. 14"
 P. 2 1/2"



tape recess

7822

H. 9 3/4"
 WI. 16"
 WO. 19 5/8"
 P. 9"



10100

H. 21"
 WI. 9"
 WO. 14 1/2"
 P. 3 1/2" in;
 3 1/2" out



Scale - 1 1/2" = 1' - 0"

NICHE CAPS

NC-001

H. 27"
 WI. 47"
 WO. 54"
 P. 24"



NC-006

H. 17 1/8"
 WI. 26 3/16"
 WO. 31 3/8"
 P. 12 1/2"



NC-004

H. 18 1/4"
 WI. 31 1/4"
 WO. 36 1/4"
 P. 15 7/8"



NC-003

H. 24 1/2"
 WI. 40"
 WO. 48 1/8"
 P. 15"



NC-002

H. 19 3/4"
 WI. 29 3/8"
 WO. 35 5/8"
 P. 15"



NC-009

H. 26 1/4"
 W. 52 1/2"
 P. 3 1/8" at edge

-also-

NC-008

H. 24"
 W. 48"
 P. 3" at edge



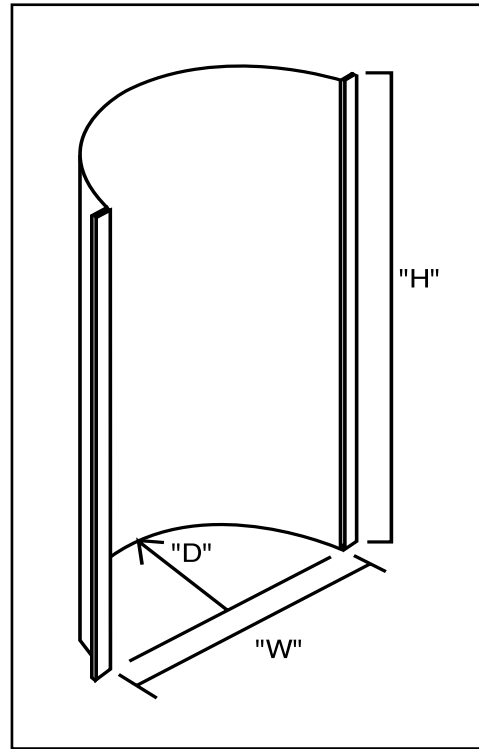
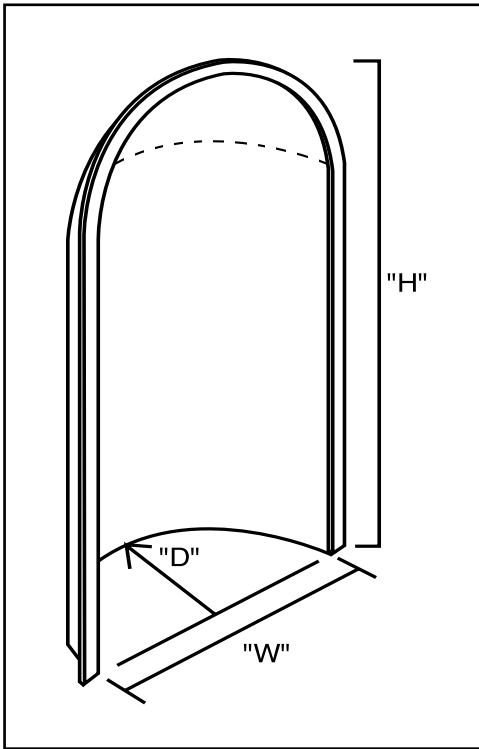
NC-007

H. 16 1/4"
 WI. 25 7/8"
 WO. 32 1/8"
 P. 11 3/8"



Scale - 3/4" = 1' - 0"

SMOOTH NICHE & NICHE BACKS



Smooth Niches

Model#	Width	Height	Depth
SN-001	33 1/2"	65"	11 1/4"*
SN-002	35"	65 1/2"	14" *
SN-003	36"	63"	18"
SN-004	24"	53"	9" *
SN-005	30"	63"	15"
SN-006	24"	53"	12"
SN-007	19 1/2"	48"	10"
SN-008	32 5/16"	57 3/4"	9 13/16"
SN-009	12"	18"	2 1/2"

Niche Backs

Model#	Width	Height	Depth
NC-002B	33"	44"	16 1/2"
NC-003B	46"	48"	16"
NC-004B	34 1/2"	48"	17 1/4"
NC-005B	28"	48"	14"
NC-006B	29 1/2"	48"	14 3/4"
7800-B	25 1/4"	48"	10"
7801-B	24 1/2"	48"	12"
7804-B	37"	48"	10 1/2" *
7805-B	29 1/2"	48"	14 3/4"
7808/16-B	48 1/2"	48"	18 1/4"
7815-B	29 1/4"	48"	14 1/2"
7817-B	26"	48"	12 1/4"
7823-B	25 3/8"	48"	6" *
7821-B	28"	48"	10 1/2" *
7822-B	18 1/8"	48"	8 3/4"

All smooth niches and niche backs provided with front edge flanges for flush mounting to 1/2" drywall.

Note - * Denotes elliptical cross section.