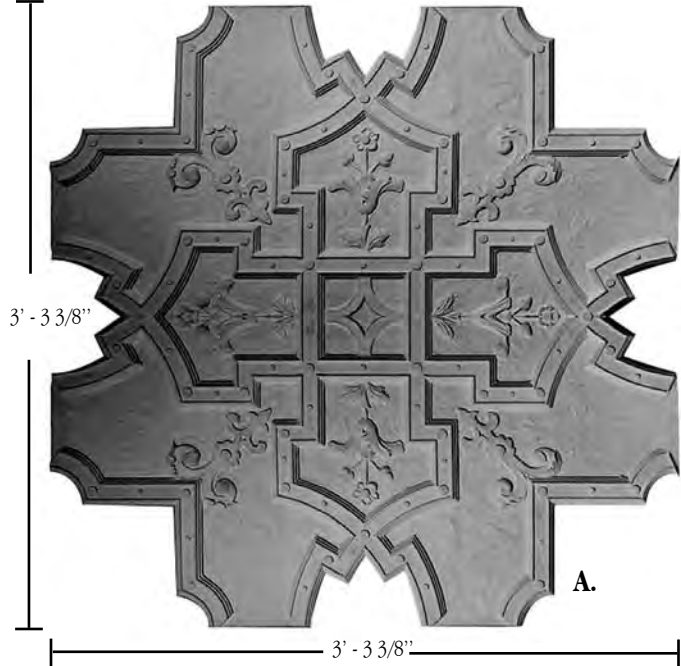


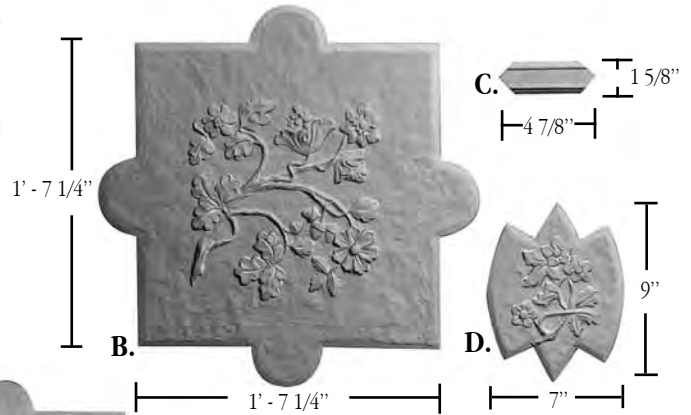
PERIOD CEILINGS: CREWE HALL



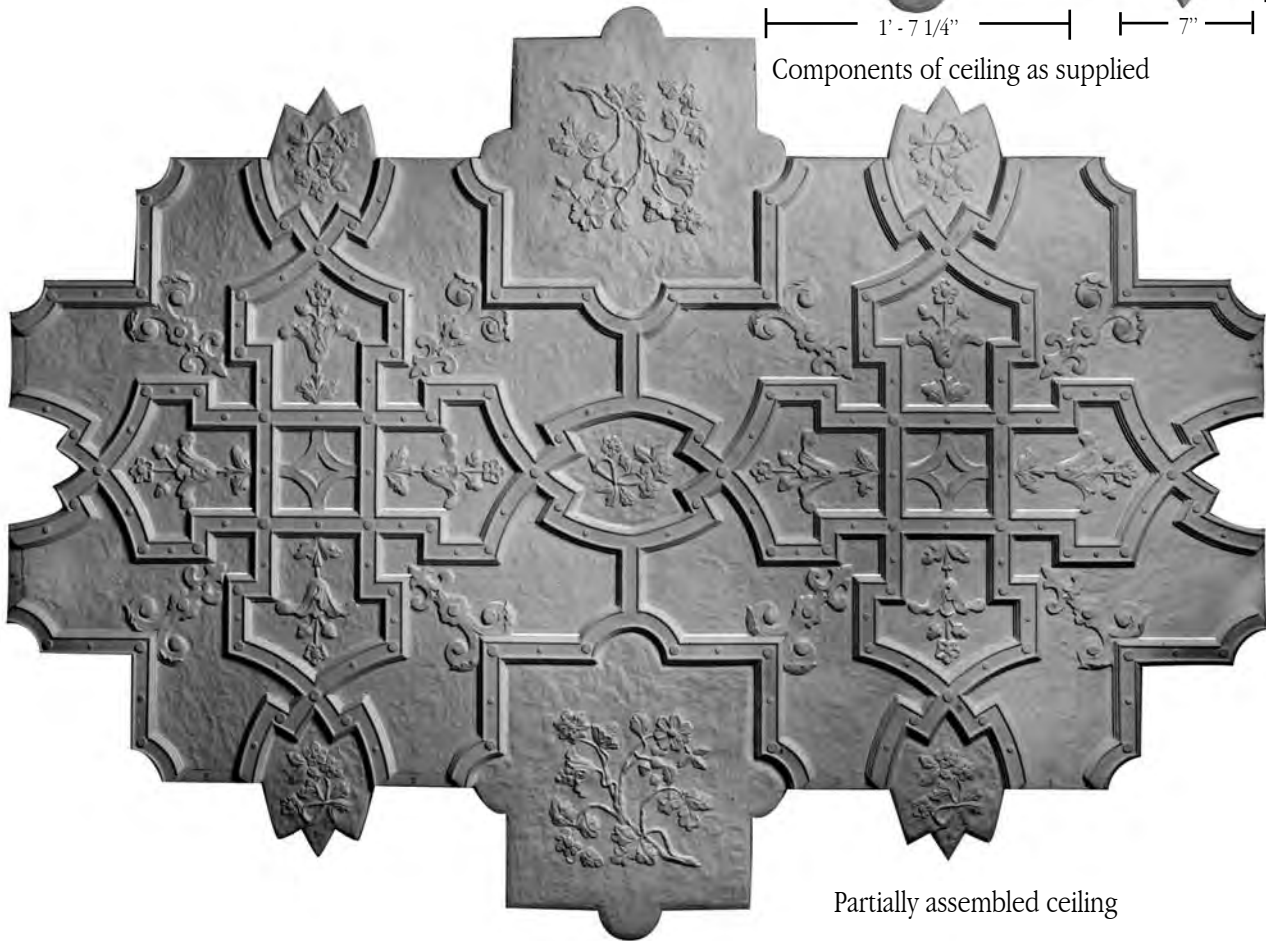
Period ceiling: a ceiling treatment done in a variety of period styles; constructed in sections or components.

Applications: In addition to ceiling applications, these can be attached to a wall to provide a number of decorative effects.

Layout: Modular dimensions of pattern will determine ceiling layout. Edge treatments are designed to suit your particular application.

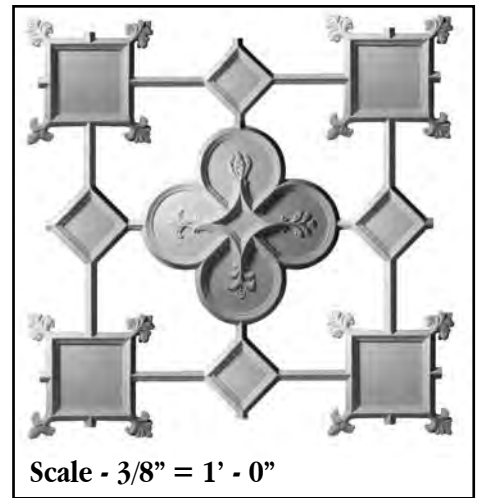
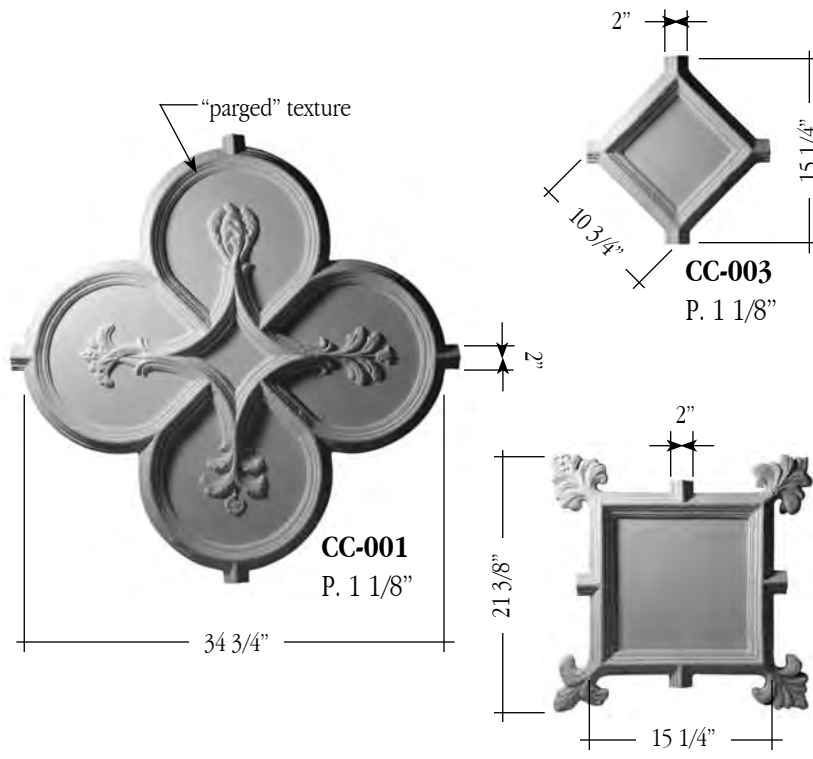


Components of ceiling as supplied



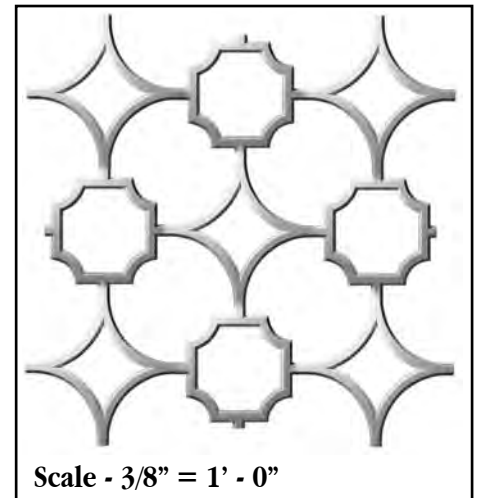
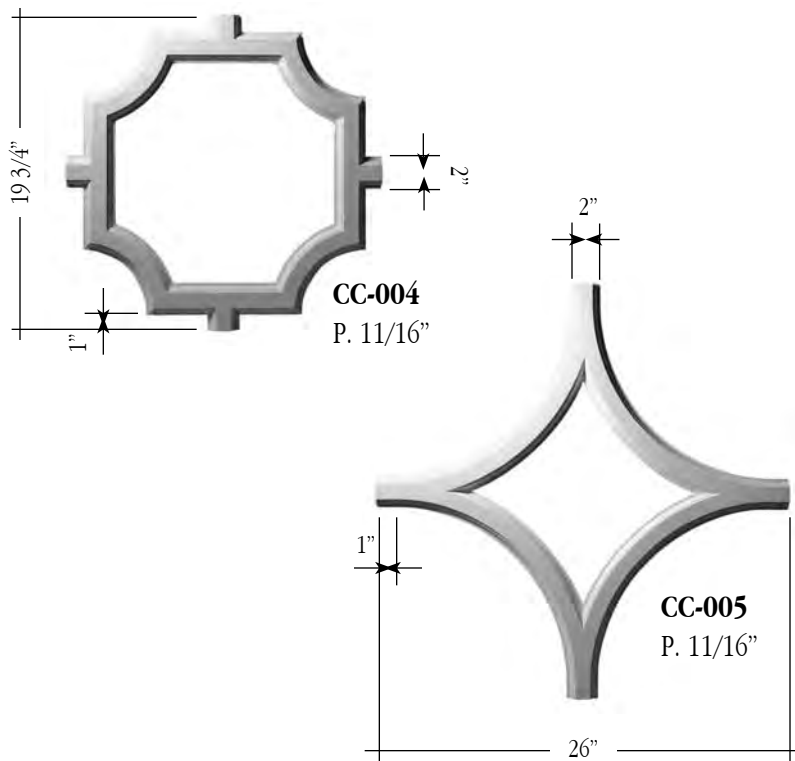
Partially assembled ceiling

PERIOD CEILINGS



“Haddon Hall”

Scale - 3/4" = 1' - 0" Run mouldings are available for connectors or borders as needed.



“Norston Abbey”

Scale - 1" = 1' - 0" Run mouldings are available for connectors or borders as needed.