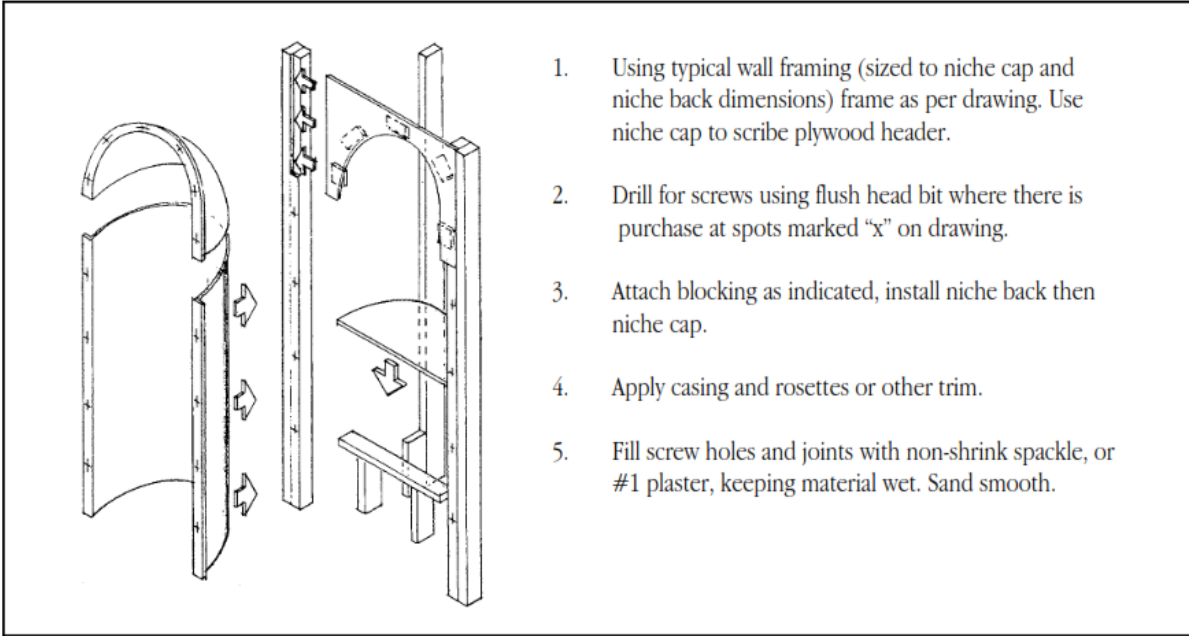


Niche Cap Installation



1. Using typical wall framing (sized to niche cap and niche back dimensions) frame as per drawing. Use niche cap to scribe plywood header.
2. Drill for screws using flush head bit where there is purchase at spots marked "x" on drawing.
3. Attach blocking as indicated, install niche back then niche cap.
4. Apply casing and rosettes or other trim.
5. Fill screw holes and joints with non-shrink spackle, or #1 plaster, keeping material wet. Sand smooth.



FELBER
ORNAMENTAL
PLASTERING CORE

FAX: 610-275-6636 1-800-392-6896 WEB: www.felber.net